



# PALLET LIFTER

Carney Fabricating pallet lifters are engineered, designed and manufactured according to ASME B30.20 for below-the-hook lifting devices and the ASME BTH-1 design standard of below-the-hook lifting devices. Our pallet lifters are heavily constructed of hollow structural steel with formed solid steel or forged tapered heat treated forks depending on the chosen capacity of the pallet lifter.

Carney has several standard pallet lifter designs which include weighted counterbalance and adjustable lifting bail options. Either design option can have fixed or adjustable forks. Our pallet lifters are designed with a throat opening large enough to satisfy various skid dimensions.

## GET IN TOUCH

info@carneyfabricating.com  
www.carneyfabricating.com

Tel: 1.905.564.0303  
Toll free: 1.866.THE.BULL

2A - 14 Reagan Road  
Brampton Ontario L7A 1B9

# Pallet Lifter

Designed & engineered to allow for slight modifications to standard designs to meet your lifting application.

## What is a Pallet Lifter?

A pallet lifter is a below-the-hook lifting device used with various types of overhead cranes, monorails, and hoists. The application of a pallet lifter is to allow for the lifting of pallets, dies, steel bundles and other long materials as well as stacking materials in a warehouse or yard when a fork truck cannot easily perform the function. A versatile hook attachment ideal for any load size or capacity. Pallet lifters come in various types and features that include adjustable lifting bails, forks, wheels and handles for positioning to properly engage, move and store the load

## Product Options

- Custom-engineering to meet the client's specific requirements for load configuration, weight, lifting area and headroom
- Wide span designs with 2, 4 or 6 forks up to 20' width
- Designs available to accommodate coils or cylindrical loads
- Telescopic, horizontal and vertical lifters available, depending on your applications
- Operator handles to swivel lifter while suspended
- Clearance under the forks for stacking
- Adjustable lifting bail
- Clearance under the forks for stacking

## Product Applications

- Pallets/skids
- Steel, rail and bar material stacking
- Moving or stacking heavy dies and molds
- Overhead crane flatbed loading
- Coil stacking
- Lifting to mezzanine using an overhead crane
- Machine loading, lifting onto tables and stacking shelves

## Key Features

- Manufactured and Designed to comply with ASME B30.20 for Below-the-Hook Lifting Devices and ASME BTH-1 Design of Below the Hook Lifting Devices.
- Capacity of up to 30 tons (60,000 lbs) standard
- A counterweight or adjustable master link for loaded or unloaded functionality
- P.Eng certified stamped drawing
- Can be equipped with wireless load measuring and load display options
- Adjustable forks



Carney Fabricating fixed fork adjustable bale pallet lifter in blue..



Large adjustable pallet lifter in blue.



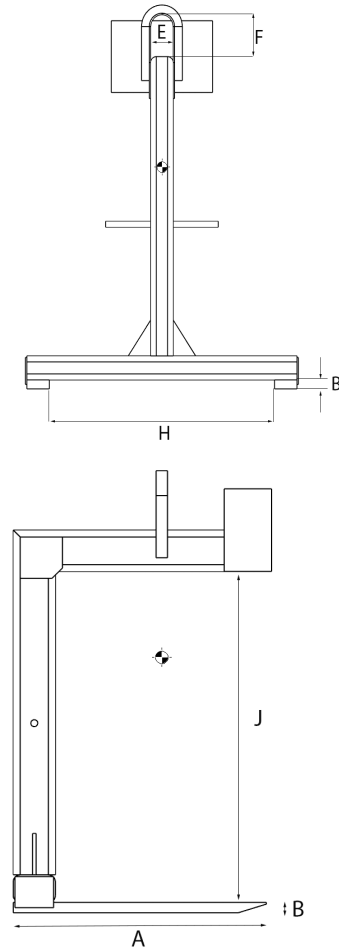
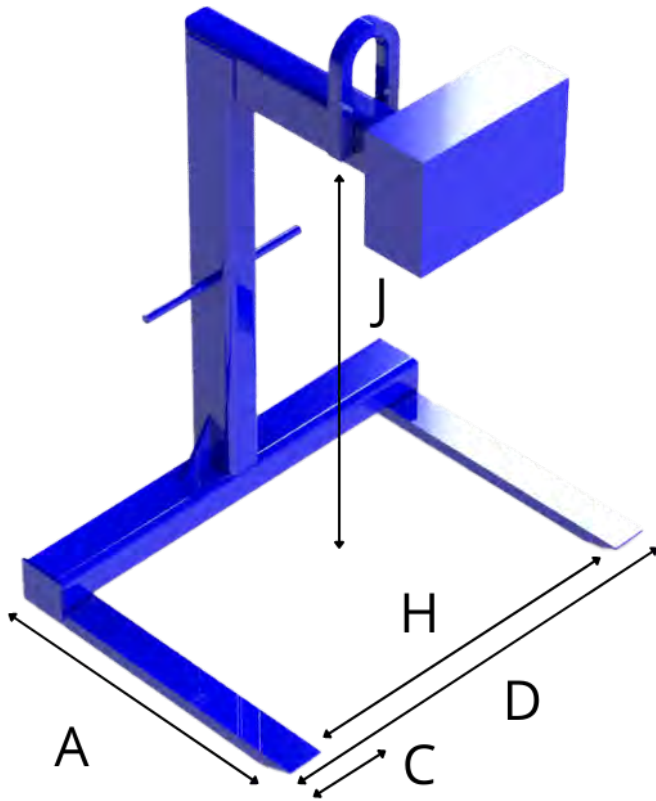
Pictured: Left traditional Right: Square

Carney provides the lifting bail to match the crane hook style weather you have the traditional rounded hook or new style square ergonomic hook.

### ATTACHMENT HIGHLIGHTS

- Maintain a balanced load
- Meets ASME manufacturing standards
- Turns your overhead crane into a forklift
- Increase productivity
- Reduced down-time
- Matching the bail to your crane hook reduces the risk to hook damage such as cracking or peening.

# Product Specs



Fixed fork adjustable bale pallet lifter drawing 2021.

| GENERAL SPECIFICATIONS |         |
|------------------------|---------|
| Maximum Lift Capacity  | 30 Tons |
| Custom Units Available |         |

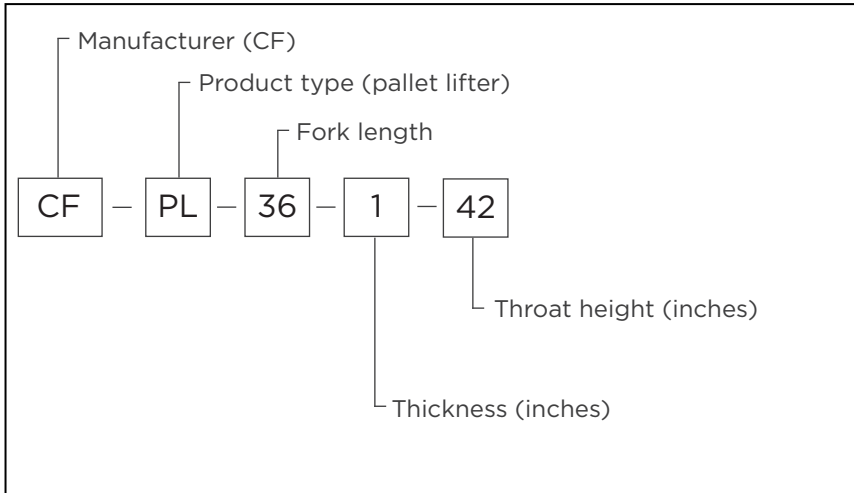
# Product Specs

| CAPACITY<br>(Tons) | MODEL          | Fork<br>Length<br>(A) | Thickness<br>(B) | Fork<br>Width<br>(C) | Max w/h<br>Outside<br>Forks (D) | Lifting Eye Inside<br>W/H/Adj. H<br>(E,F,G) |       |       | Min. Dist.<br>Inside<br>Forks<br>(H) | Overall<br>Height<br>(I) | Throat<br>Height<br>(J) | Weight LBS. |      |      |      |
|--------------------|----------------|-----------------------|------------------|----------------------|---------------------------------|---------------------------------------------|-------|-------|--------------------------------------|--------------------------|-------------------------|-------------|------|------|------|
|                    |                |                       |                  |                      |                                 |                                             |       |       |                                      |                          |                         |             |      |      |      |
| 1                  | CF-PL-36-1-48  | 36"                   | 1"               | 4"                   | 25"/42"                         | 2.5"                                        | 3.5"  | 4.25" | 17"/3.5"                             | 60"                      | 48"                     | 180         | 200  | 310  | 340  |
|                    | CF-PL-42-1-48  | 42"                   | 1"               | 4"                   | 25"/42"                         | 2.5"                                        | 3.5"  | 4.25" | 17"/3.5"                             | 60"                      | 48"                     | 200         | 210  | 320  | 350  |
|                    | CF-PL-48-1-48  | 48"                   | 1"               | 4"                   | 25"/42"                         | 2.5"                                        | 3.5"  | 4.25" | 17"/3.5"                             | 60"                      | 48"                     | 210         | 230  | 340  | 370  |
| 2                  | CF-PL-36-2-48  | 36"                   | 1"               | 4"                   | 25"/42"                         | 2.5"                                        | 3.5"  | 4.25" | 17"/6"                               | 61.5"                    | 48"                     | 240         | 260  | 430  | 470  |
|                    | CF-PL-42-2-48  | 42"                   | 1"               | 4"                   | 25"/42"                         | 2.5"                                        | 3.5"  | 4.25" | 17"/6"                               | 61.5"                    | 48"                     | 250         | 270  | 440  | 490  |
|                    | CF-PL-48-2-48  | 48"                   | 1.25"            | 4"                   | 25"/42"                         | 2.5"                                        | 3.5"  | 4.25" | 17"/6"                               | 61.5"                    | 48"                     | 300         | 320  | 500  | 540  |
| 3                  | CF-PL-36-3-48  | 36"                   | 1.25"            | 4"                   | 25"/42"                         | 3"                                          | 3.75" | 5.25" | 17"/8"                               | 63"                      | 48"                     | 300         | 320  | 570  | 620  |
|                    | CF-PL-42-3-48  | 42"                   | 1.25"            | 4"                   | 25"/42"                         | 3"                                          | 3.75" | 5.25" | 17"/8"                               | 63"                      | 48"                     | 350         | 380  | 650  | 710  |
|                    | CF-PL-48-3-48  | 48"                   | 1.25"            | 4"                   | 25"/42"                         | 3"                                          | 3.75" | 5.25" | 17"/8"                               | 63"                      | 48"                     | 380         | 400  | 670  | 730  |
| 4                  | CF-PL-36-4-48  | 36"                   | 1.5"             | 4"                   | 25"/42"                         | 3"                                          | 3.75" | 5"    | 17"/8"                               | 63"                      | 48"                     | 350         | 370  | 660  | 720  |
|                    | CF-PL-42-4-48  | 42"                   | 1.5"             | 4"                   | 25"/42"                         | 3"                                          | 3.75" | 5"    | 17"/8"                               | 63"                      | 48"                     | 370         | 400  | 680  | 740  |
|                    | CF-PL-48-4-48  | 48"                   | 1.5"             | 4"                   | 25"/42"                         | 3"                                          | 3.75" | 5"    | 17"/8"                               | 63"                      | 48"                     | 400         | 420  | 700  | 760  |
| 6                  | CF-PL-36-6-48  | 36"                   | 1.75"            | 4"                   | 27"/42"                         | 3.5"                                        | 4"    | 5.75" | 19"/10"                              | 64"                      | 48"                     | 470         | 510  | 950  | 1030 |
|                    | CF-PL-42-6-48  | 42"                   | 1.75"            | 4"                   | 27"/42"                         | 3.5"                                        | 4"    | 5.75" | 19"/10"                              | 64"                      | 48"                     | 500         | 540  | 970  | 1050 |
|                    | CF-PL-48-6-48  | 48"                   | 1.75"            | 4"                   | 27"/42"                         | 3.5"                                        | 4"    | 5.75" | 19"/10"                              | 64"                      | 48"                     | 540         | 580  | 990  | 1070 |
| 10                 | CF-PL-36-10-48 | 36"                   | 2"               | 4"                   | 27"/48"                         | 3.5"                                        | 3.5"  | 5.5"  | 19"/12"                              | 66"                      | 48"                     | 600         | 670  | 1240 | 1390 |
|                    | CF-PL-42-10-48 | 42"                   | 2"               | 5"                   | 27"/48"                         | 3.5"                                        | 3.5"  | 5.5"  | 19"/12"                              | 66"                      | 48"                     | 690         | 750  | 1330 | 1490 |
|                    | CF-PL-48-10-48 | 48"                   | 2"               | 6"                   | 36"/48"                         | 3.5"                                        | 3.5"  | 5.5"  | 30"/12"                              | 66"                      | 48"                     | 810         | 850  | 1510 | 1600 |
|                    | CF-PL-54-10-54 | 54"                   | 2"               | 6"                   | 36"/48"                         | 3.5"                                        | 3.5"  | 5.5"  | 30"/12"                              | 72"                      | 54"                     | 880         | 920  | 1600 | 1680 |
|                    | CF-PL-60-10-60 | 60"                   | 2"               | 7"                   | 36"/48"                         | 3.5"                                        | 3.5"  | 5.5"  | 29"/12"                              | 78"                      | 60"                     | 1130        | 1180 | 2020 | 2120 |
| 15                 | CF-PL-48-15-48 | 48"                   | 2"               | 8"                   | 36"/48"                         | 4-3/8"                                      | 4.75  | 6.75" | 28"/12"                              | 68"                      | 48"                     | 1060        | 1110 | 1930 | 2050 |
|                    | CF-PL-54-15-54 | 54"                   | 2.25"            | 8"                   | 36"/48"                         | 4-3/8"                                      | 4.75  | 6.75" | 28"/12"                              | 74"                      | 54"                     | 1210        | 1260 | 2130 | 2250 |
|                    | CF-PL-60-15-60 | 60"                   | 2.25"            | 8"                   | 36"/48"                         | 4-3/8"                                      | 4.75  | 6.75" | 28"/12"                              | 80"                      | 60"                     | 1310        | 1360 | 2240 | 2360 |
| 20                 | CF-PL-48-20-48 | 48"                   | 2.5"             | 8"                   | 36"/48"                         | 4-3/8"                                      | 4.5"  | 6.75" | 28"/12"                              | 68"                      | 48"                     | 1350        | 1430 | 2480 | 2680 |
|                    | CF-PL-54-20-54 | 54"                   | 2.5"             | 8"                   | 36"/48"                         | 4-3/8"                                      | 4.5"  | 6.75" | 28"/12"                              | 74"                      | 54"                     | 1470        | 1550 | 2630 | 2820 |
|                    | CF-PL-60-20-60 | 60"                   | 2.5"             | 8"                   | 36"/48"                         | 4-3/8"                                      | 4.5"  | 6.75" | 28"/12"                              | 80"                      | 60"                     | 1650        | 1730 | 2870 | 3060 |
| 30                 | CF-PL-48-30-48 | 48"                   | 3"               | 8"                   | 36"/48"                         | 5.25"                                       | 6"    | 8"    | 28"/12"                              | 69"                      | 48"                     | 1680        | 1780 | 3050 | 3300 |
|                    | CF-PL-54-30-54 | 54"                   | 3"               | 8"                   | 36"/48"                         | 5.25"                                       | 6"    | 8"    | 28"/12"                              | 75"                      | 54"                     | 1820        | 1920 | 3240 | 3480 |
|                    | CF-PL-60-30-60 | 60"                   | 3"               | 8"                   | 36"/48"                         | 5.25"                                       | 6"    | 8"    | 28"/12"                              | 81"                      | 60"                     | 1970        | 2100 | 3430 | 3660 |



# Model/Part Number Breakdown

Example: CF-PL-36-1-42



*Pallet lifter in production*



*Light blue pallet lifter undergoing final inspection*

## GET IN TOUCH

info@carneyfabricating.com  
www.carneyfabricating.com

Tel: 1.905.564.0303  
Toll free: 1.866.THE.BULL

*Due to continuous product improvements, specifications are subject to change without notice. Some systems and features shown may be optional at extra cost.*

CF\_PL\_NA\_R009