



SHEET LIFTER

Sheet lifters enable a single operator to quickly, easily and safely lift sheet bundles, plates, wallboard, plywood, glass and many other types of stacked, flat materials. Carney Fabricating's Sheet Lifters can be manually operated or electrically powered and are designed with optimal lifting capabilities with low maintenance.

Carney Fabricating sheet lifters are engineered, designed and manufactured to ASME B30.20 and ASME BTH-1 safety standards for below-the-hook lifting devices to ensure reliability.

GET IN TOUCH

info@carneyfabricating.com
www.carneyfabricating.com

Tel: 1.905.564.0303
Toll free: 1.866.THE.BULL

2A - 14 Reagan Road
Brampton Ontario L7A 1B9

Sheet Lifter

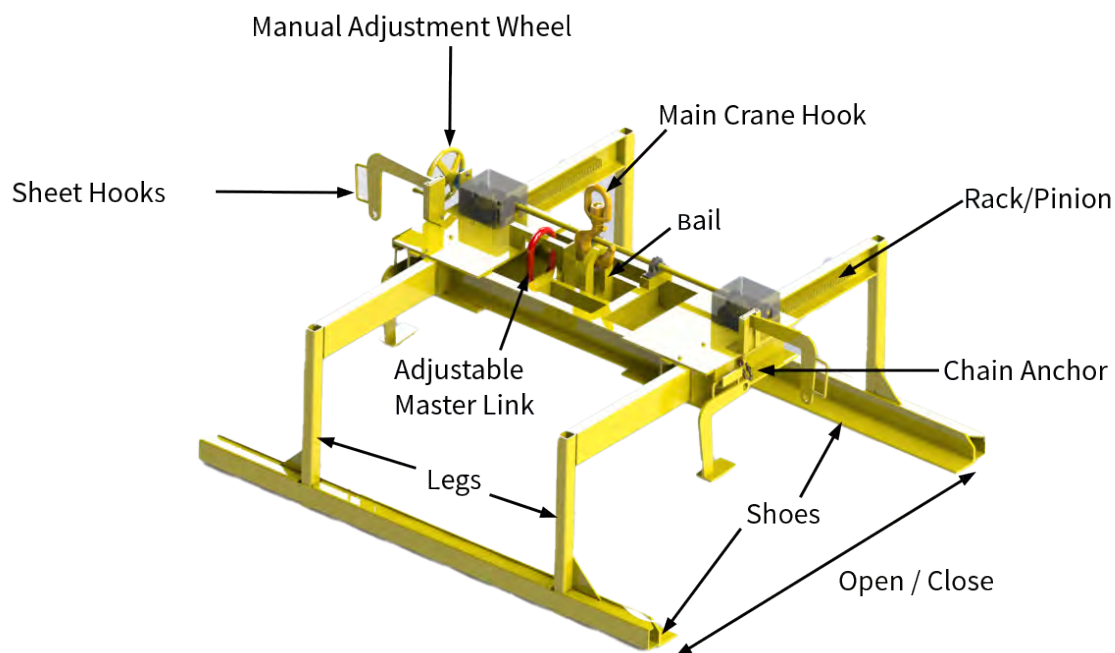
Carney Fabricating's **Sheet Lifters** can be manually operated or electrically powered and are engineered for optimal durability and functionality.

Single Operator System for Lifting Stacked, Flat Material

Carney Fabricating's sheet lifters are designed for single operator use, ensuring improved productivity and minimize handling costs as a safe and efficient solution to lift and transfer stacked materials.

Our innovative design allows for easy adjustment to fit a wide range of sheet widths and lengths providing broader capabilities than ever before. As a fully adaptable solution Carney's sheet lifters can be custom designed to fit the challenges of your specific application.

When lifting very wide or longer loads that extend beyond the sheet lifter shoe length, Carney offers shoe extensions and/or sheet hooks. Our standard designs include considerations for both normal and low headroom configurations for overhead lifting devices.



Sheet Lifter

Manual & Powered Sheet Lifters

Our manual sheet lifters are equipped with either a hand wheel or chain wheel for opening and closing the legs and shoes (or feet) that grip and hold the load in place.

Our powered sheet lifters are equipped with the same structural strength materials as our manual sheet lifter. The manual controls are replaced with either electric or hydraulic motor controls depending on the maximum rated load or capacity.

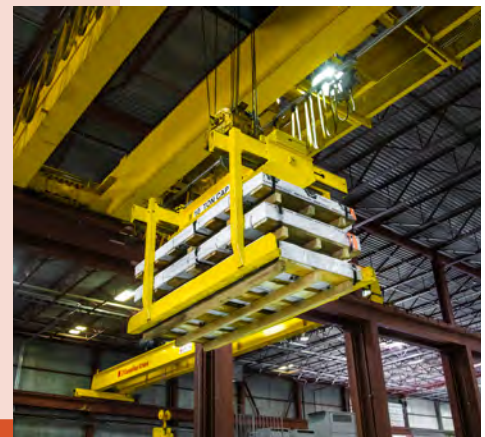
Powered units for electric motors, panels, electrical components and cables are equipped with CSA, cUL, cULeu, CE name plate markings compliant with regulations in multiple countries which can be operated by push button pendant controls, radio controls or both. We also offer a selector switch package to upgrade existing cranes allowing them to open and close.

Power Integration with Overhead Cranes

Integrating your existing overhead crane with a CF sheet lifter is simple, we provide properly designed panels with quick-disconnect male and female plugs to ensure smooth power integration with your crane. Radio controls can also be integrated to operate both your overhead crane and sheet lifter together as one.

SHEET LIFTER BENEFITS

- Easy-to-use & adjustable for various bundle sizes
- Versatile handling of bundles of stacked or flat materials (sheets, plates, gypsum, drywall, flat woods)
- Single operator controlled
- Leg & shoe extension options available
- Designed in accordance with ASME (B30.20 & BTH-1) standards

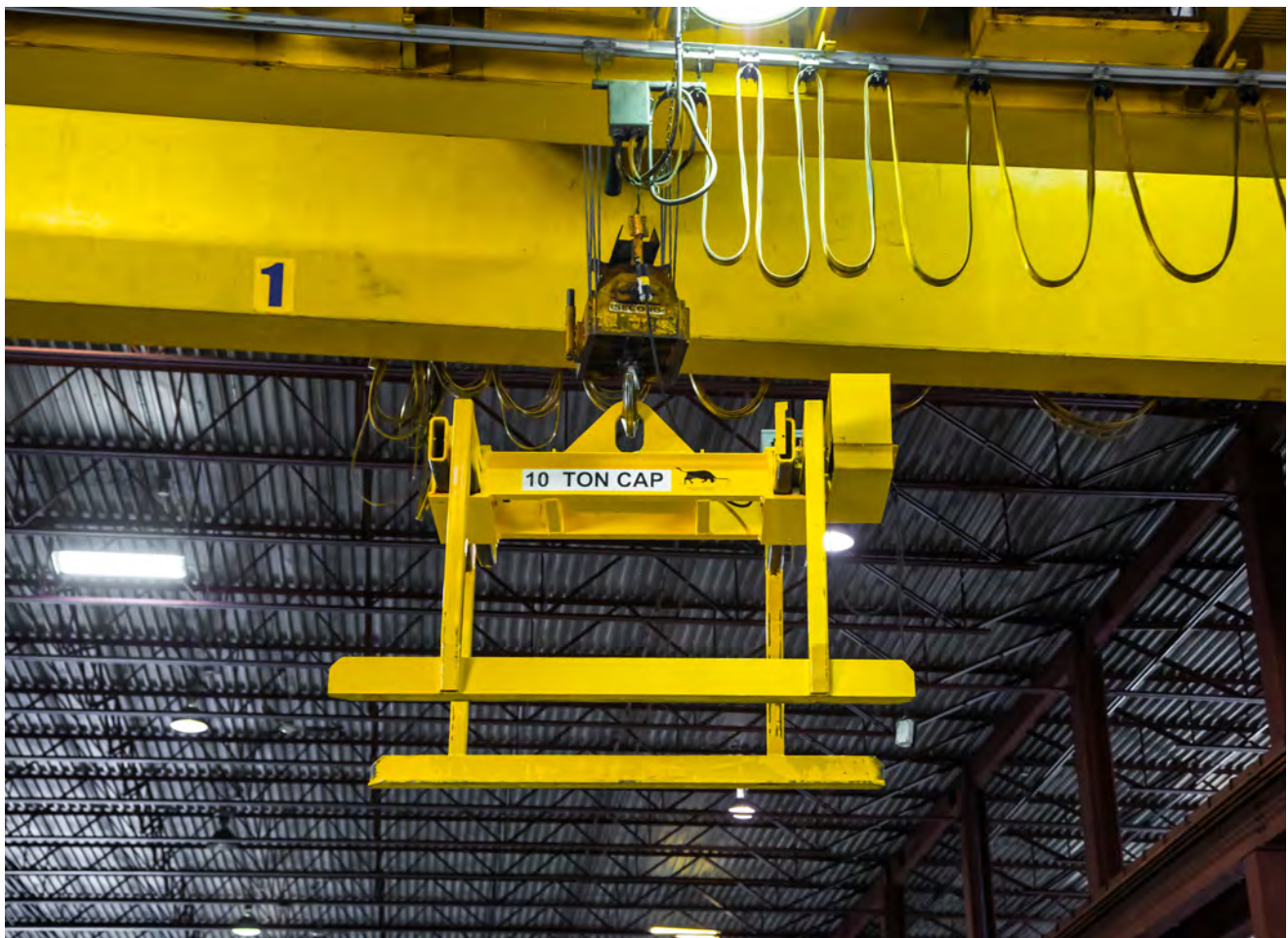


Sheet Hooks & Adjustable Chains

Stabilizing grab hooks can be ordered as an option with your sheet lifter, providing stabilization (ONLY) for the load at both ends. Grab hooks are not to be used for lifting, the chains are grade (100) alloy (standard sling chain material) in accordance with the ASTM and EN manufacturing standards, including adjustment clutches. Stabilizing hooks, chains and adjustable clutches are sized according to the sheet lifter maximum rated capacity.

Stand-Alone Power System

As an option for power Carney Fabricating can also provide a sheet lifter with DC powered battery, motor driven system to allow your sheet lifter to be powered with battery rechargeable system & low-charge indicator so that you don't have to draw power from your overhead crane. Simply plug in the sheet lifter to a battery recharger when not in use to charge the batteries for the next shift.



Key Features & Options

- Capacities ranging from 0.5 - 20 tons
- Manual hand operated using hand wheel
- Standard worm gear drives
- Rack & pinion leg drive to open and close
- Lifting bail with either normal or low headroom design options
- Powered motor controlled
- Hydraulic, pneumatic systems available
- AC & DC powered systems available
- Voltage options include (120v/1/60Hz, 208v~230v/3/60Hz, 460v/3/60Hz, 575v/3/60Hz)
- Additional voltage available upon request
- Electric interlocking
- Optional radio remote control
- Narrow, standard or wide show options available
- Optional load accessories (i.e. sheet hooks)
- Optional integrated load measuring features
- Multiple lifting points available for offset centre of gravity loads



Capacities of up to 20 tons

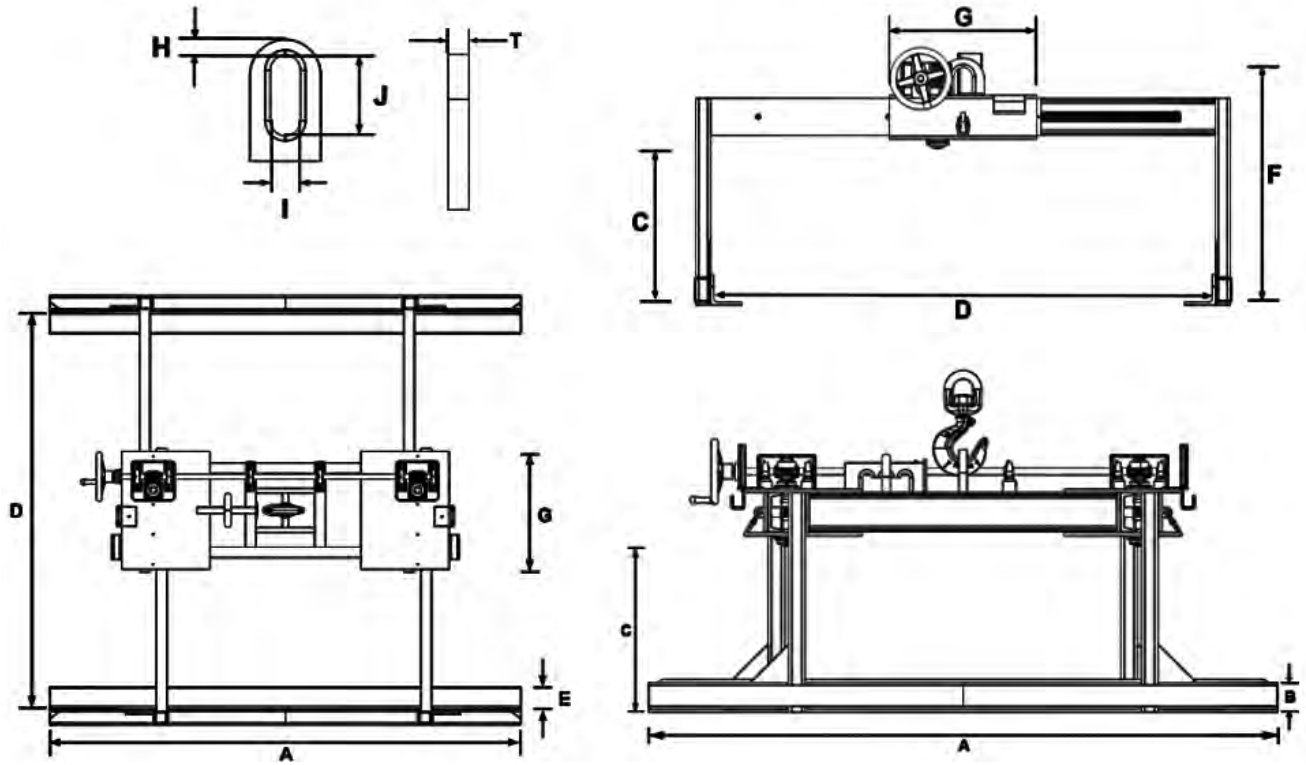


Power options include 110V/1-Phase, 575V/3-Phase, D.C. battery, hydraulic or pneumatic



Safely lift sheet bundles, plates, wallboard, plywood, glass and other flat materials

Product Specs



GENERAL SPECIFICATIONS	
Maximum Lift Capacity	Up to 20 Tons
Minimum Sheet Width capability	18"
Maximum Sheet Width capability	20 ft
Power Options	1-Phase, 3-Phase, D.C. battery, hydraulic or pneumatic
<i>Custom Units Available</i>	

Product Specs

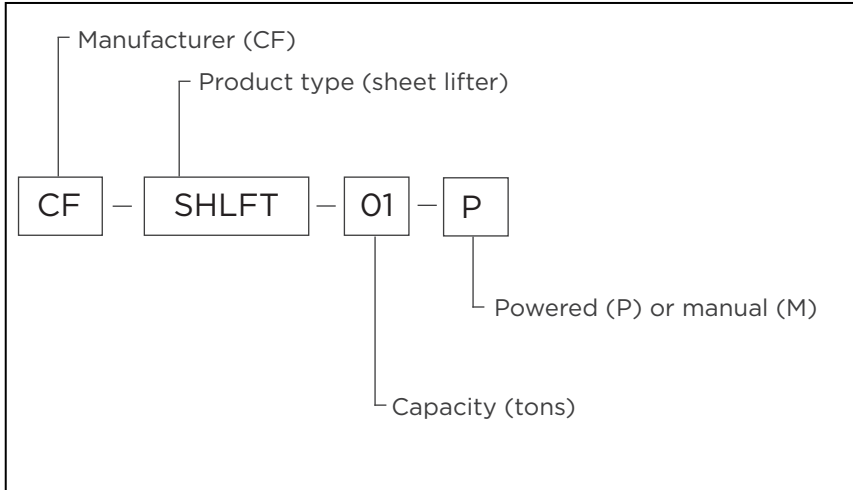
MANUAL SPECIFICATIONS												
CAPACITY (Tons)	MODEL	BUNDLE SIZE (MIN D)	BUNDLE SIZE (MAX D)	A	B	C	D	E	F	G	H	I
1	CF-SHLFT-01M	12	36	96	2	20	2	30	12	0.75	2	4
2	CF-SHLFT-02M	20	48	96	4	20	4	30	16	0.75	2	4
3	CF-SHLFT-03M	16	48	96	4	20	4	36	18	1	3	6
5	CF-SHLFT-05M	24	72	96	5	23	5	38	20	1.25	3	8
8	CF-SHLFT-08M	16	48	96	5	28	5	40	24	1.5	4	7
10	CF-SHLFT-10M	16	48	96	6	30	6	44	26	1.5	4	9
15	CF-SHLFT-15M	38	72	96	6	30	6	46	30	1.5	5	9

POWER-MOTORIZED SPECIFICATIONS												
CAPACITY (Tons)	MODEL	BUNDLE SIZE (MIN D)	BUNDLE SIZE (MAX D)	A	B	C	D	E	F	G	H	I
1	CF-SHLFT-01P	12	36	96	2	20	2	30	12	0.75	2	4
2	CF-SHLFT-02P	20	48	96	4	20	4	30	16	0.75	2	4
3	CF-SHLFT-03P	16	48	96	4	20	4	36	18	1	3	6
5	CF-SHLFT-05P	24	72	96	5	23	5	38	20	1.25	3	8
8	CF-SHLFT-08P	16	48	96	5	28	5	40	24	1.5	4	7
10	CF-SHLFT-10P	16	48	96	6	30	6	44	26	1.5	4	9
15	CF-SHLFT-15P	38	72	96	6	30	6	46	30	1.5	5	9

Moderate size customizations available

Model/Part Number Breakdown

Example: CF-SHLFT-01P



Sheet lifter properly loaded



Sheet lifter suspended grabbing a load of material

GET IN TOUCH

info@carneyfabricating.com
www.carneyfabricating.com

Tel: 1.905.564.0303
Toll free: 1.866.THE.BULL

2A - 14 Reagan Road
Brampton Ontario L7A 1B9

Due to continuous product improvements, specifications are subject to change without notice. Some systems and features shown may be optional at extra cost.

CF_SL_NA_R012